

Dimensions

START POINT A	
START POINT B	
A	
B	
C	
D	
E	
F	
G	

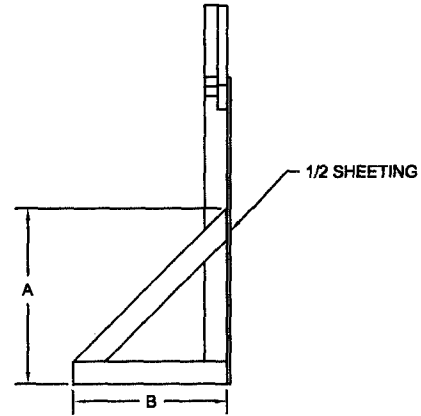
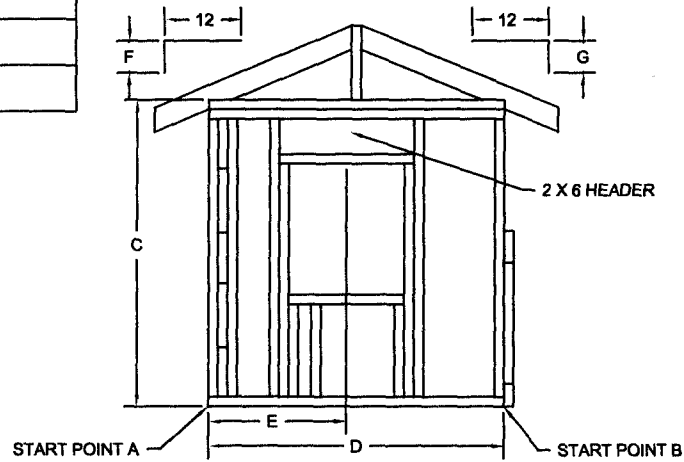
WINDOW NOTES: R.O.

WALL STUDS ON 16" CENTERS

ROOF NOTES: DRAWING MAY NOT REPRESENT TRUE ROOF

BIRDMOUTH SEAT CUT=

REVISIONS BY	



**D
H
S**

DRAWING NAME	SKILLSUSA
DRAWING NUMBER	WALL 2
DRAWN BY:	
DATE	9/22/2011
SCALE	NOT TO SCALE
PERIOD	
1	OF 1 SHEETS

Name _____

MULTIPLE CHOICE. Choose the one alternative that best completes the statement or answers the question.

- 1) What is the lowest term of the fraction $\frac{4}{32}$? 1) _____
A) $\frac{1}{8}$ B) $\frac{1}{16}$ C) $\frac{2}{8}$ D) $\frac{2}{16}$
- 2) Wooden joists are normally placed ___ OC with the crown _____. 2) _____
A) 16"; up B) 24"; up C) 16"; down D) 24"; down
- 3) Area is the measurement of the _____ of an object. 3) _____
A) surface B) depth C) volume D) perimeter
- 4) Blueprint measurements most often are given in centimeters or _____. 4) _____
A) kilometers B) decimeters C) millimeters D) liters
- 5) Sills are normally made from lumber. _____ 5) _____
A) 1 x 4 B) 2 x 10 C) 2 X 6 D) 2 x 4
- 6) The person who is licensed to design buildings and oversee their construction is the 6) _____
a.
b.
c.
d.
A) general contractor B) master carpenter
C) supervisor D) architect
- 7) The accuracy of a level depends on its _____. 7) _____
A) height B) length C) width D) weight
- 8) You should always use _____ when using a table saw to rip boards less than 4" wide. 8) _____
A) hold-downs B) an auxiliary fence
C) a push stick D) a miter gauge
- 9) A yardstick is a standard ruler that is _____ feet long. 9) _____
A) 4 B) 5 C) 3 D) 2
- 10) A _____ /tagout system protects workers from hazardous energy while they work with machines and equipment. 10) _____
A) lockdown B) disconnect C) lockout D) de-energized
- 11) The _____ is used to connect splices, corners, and partitions that are at right angles to a wall. 11) _____
A) header B) double top plate C) top plate D) soleplate

- 12) Lines on drawings used to indicate an area that has been cut away and shown in a section view are called _____ lines. 12) _____
 A) break B) cutting plane C) phantom D) extension
- 13) Put the following decimals in order from smallest to largest: 0.012, 0.210, 0.112, 0.201. 13) _____
 A) 0.012, 0.112, 0.201, 0.210 B) 0.210, 0.112, 0.012, 0.201
 C) 0.112, 0.210, 0.201, 0.012 D) 0.201, 0.210, 0.112, 0.012
- 14) There are two basic types of cranes: overhead and _____. 14) _____
 A) swing B) mobile C) loader D) hoist
- 15) A hand saw that is used for rough cutting, such as cutting access holes for piping and electrical boxes, is commonly called a _____ saw. 15) _____
 A) dovetail B) keyhole C) back D) coping
- 16) To fasten wood cross-bridging and subfloors, you would use _____ box nails. 16) _____
 A) 16d B) 6d C) 10d D) 8d
- 17) A red barricade in a work area indicates danger from _____. 17) _____
 A) loose debris on the ground
 B) radiation in the air
 C) physical hazards such as bumping into equipment
 D) falling objects or a load suspended over an area
- 18) Light framing lumber is classified as _____ lumber. 18) _____
 A) rough B) shiplapped C) common D) dimension
- 19) An example of an AC source of power is _____. 19) _____
 A) air B) fluid pressure C) a wall plug D) a battery
- 20) The _____ clamp is commonly used to secure round, oval, and oddly shaped work. 20) _____
 A) web B) handscrew C) quick D) spring
- 21) Work that takes place near a hazard but not in direct contact with it is called _____ work. 21) _____
 A) hazardous B) extra caution C) proximity D) near contact
- 22) To measure angles, you use an instrument called a _____. 22) _____
 A) Pythagoras B) protractor C) perimeter D) vertex
- 23) Every shipment of a hazardous substance must be accompanied by a(n) _____, which must be made available on the job site. 23) _____
 A) SCBA B) MSDS C) ANSI D) PPE
- 24) A heavy-duty tool used to drive posts or other large stakes is a _____. 24) _____
 A) sledgehammer B) hammer C) wedge D) mallet

- 25) When doing a quantity takeoff, the last step is to _____. 25) _____
- A) perform the quantity takeoff
 - B) total the quantities per category of material
 - C) review the specifications and seek clarification
 - D) determine the scope of work
- 26) Ball peen hammers are classified by _____. 26) _____
- A) color
 - B) length
 - C) material
 - D) weight
- 27) The type of construction where each floor of a structure is built as an individual unit is framing. _____ 27) _____
- A) braced
 - B) post-and-beam
 - C) plat form
 - D) balloon
- 28) The color of the oxygen hose is _____. 28) _____
- A) green
 - B) white
 - C) yellow
 - D) red
- 29) Yesterday the job site received a gravel delivery of 5.7 cubic yards. The contractor has already used 2.3 cubic yards. The contractor has _____ cubic yards of gravel left. 29) _____
- A) 8.9
 - B) 3.4
 - C) 4.3
 - D) 9.8
- 30) Lumber inspection criteria are defined by _____ 30) _____
- a.
 - b.
 - c.
 - d.
 - A) the carpenter who buys it
 - B) the building supply company that sells it
 - C) lumber producing associations
 - D) the architect
- 31) Which of these tasks falls into the category of rough carpentry? 31) _____
- A) Applying exterior siding
 - B) Building and installing cabinets
 - C) Applying exterior trim
 - D) Framing a house
- 32) A jackhammer is an example of a(n) _____ tool. 32) _____
- A) hydraulic
 - B) pneumatic
 - C) battery
 - D) electric
- 33) Duplex nails are commonly used to _____ 33) _____
- A) install drywall panels
 - B) secure concrete form and scaffold members
 - C) install window and door casings
 - D) fasten metal or wood to concrete

- 34) Balloon frame construction is rarely used today because _____ 34) _____
 A) the shrinkage of the woodframing members is high
 B) of lumber and labor costs
 C) it experiences a relatively large amount of settling
 D) it conflicts with most current building codes
- 35) Another term for PDA is a _____ computer. 35) _____
 A) desktop B) handheld C) laptop D) portable
- 36) The formula to calculate the area of a rectangle is _____. 36) _____
 A) $0.5 \times \text{base} \times \text{height}$ B) $\text{length} \times \text{depth}$
 C) $\pi \times \text{radius}$ D) $\text{length} \times \text{width}$
- 37) Imagine you have a problem on your job site. Following the five-step problem-solving procedure, you choose a solution and implement it. However, your solution doesn't solve the problem. Your next step should be to _____. 37) _____
 A) abandon your efforts B) select another possible solution
 C) consult the employee handbook D) ask someone else to solve the problem
- 38) The ultimate responsibility for on-the-job safety rests with _____. 38) _____
 A) OSHA B) human resources
 C) your supervisor D) you
- 39) The _____ is a type of masonry anchor that is set into the concrete while the concrete is still wet. 39) _____
 A) anchor bolt B) concrete screw
 C) snap-off anchor D) double expansion anchor
- 40) A come-along, used to pull heavy loads horizontally over the ground for short distances, is also called a _____. 40) _____
 A) cable puller B) pulley C) tackle D) chain-fall
- 41) To fasten headers to joists, you would use _____ box nails. 41) _____
 A) 10d B) 16d C) 6d D) 8d
- 42) You need to mix 42 pounds of mortar. Each pound of mortar mix requires .03 liters of water. How many liters of water do you need? (Round your answer to the nearest tenth.) 42) _____
 A) 1.26 B) 12.6 C) 13.2 D) 1.3
- 43) The main function of a router is to _____. 43) _____
 A) plane lumber B) cut patterns in wood
 C) cut metal D) drill holes
- 44) There are _____ categories of on-the-job events. 44) _____
 A) three B) four C) two D) five

- 45) You must never _____ your personal protective equipment. 45) _____
 A) alter or modify B) maintain C) inspect D) clean or buff
- 46) Heat is anything that will raise a fuel's temperature to the _____ point. 46) _____
 A) arc B) burn C) vapor D) flash
- 47) You have a piece of pipe that is 150 feet in length. If you make 10 cuts of equal length, how many pieces of pipe do you have? 47) _____
 A) 5 B) 50 C) 15 D) 10
- 48) When installing plywood subflooring, nail panels every _____ along the edge. 48) _____
 A) 10" B) 8" C) 12" D) 6"
- 49) Which of the following types of sheet material is used in high-wear applications such as concrete forms, cabinets, and countertops? 49) _____
 A) Mineral fiberboard B) MDO
 C) HDO D) OSB
- 50) A major difference between a builder's level and a transit level is that the _____. 50) _____
 A) builder's level can be used to plumb columns
 B) transit level cannot be used to check elevations
 C) transit level can only move in the horizontal plane
 D) transit level can be moved up and down
- 51) A portable circular saw has _____. 51) _____
 A) a fixed (non-adjustable) baseplate B) retractable lower and upper blade guards
 C) a retractable lower blade guard D) a retractable upper blade guard
- 52) A carpenter's square consists of a blade and a _____, which make up a 90-degree angle. 52) _____
 A) groove B) shaft C) slat D) tongue
- 53) Specifications do all of the following except. 53) _____
 A) replace the drawing notes
 B) serve as a guide for compliance with building codes
 C) clarify information that cannot be shown on the drawings
 D) define materials to be used
- 54) The most efficient way to add the same number together many times, is _____. 54) _____
 A) subtraction B) division C) addition D) multiplication
- 55) $1/4 + 3/8 =$ _____. 55) _____
 A) $4/8$ B) $5/4$ C) $5/8$ D) $1/2$

- 56) If an electrical current cannot complete its circuit, it will try to go to _____. 56) _____
A) air B) metal C) water D) ground
- 57) A type of adjustable square that can be used to set, test, and transfer angles is called a _____. 57) _____
A) try square B) speed square C) sliding T-bevel D) miter square
- 58) If you have 364 boxes of drywall screws that must be divided equally between 7 job sites, how many boxes does each site get? 58) _____
A) 52 B) 50 C) 56 D) 54
- 59) The gunpowder cartridges used to power a powder-actuated tool are called _____. 59) _____
A) breakers B) boosters C) canisters D) compressors
- 60) The dimensions of a typical concrete block are _____ inches. 60) _____
A) 6 x 12 x 8 B) 4 x 4 x 8 C) 2 x 4 x 12 D) 8 x 8 x 16
- 61) On a blueprint, a dimension is located _____ the dimension line. 61) _____
A) above B) at the end of
C) near the middle of D) below
- 62) Site plans are developed using a(n) _____ scale. 62) _____
A) architect's B) NTS C) metric D) engineer's
- 63) Some chalk lines can also be used as a _____. 63) _____
A) wedge B) steel rule C) measuring tape D) plumb bob
- 64) The framing member that touches the trimmer stud and the header is known as the _____. 64) _____
A) cripple stud B) king stud C) common stud D) sill

Answer Key

Testname: SEMESTER TEST

- 1) A
- 2) A
- 3) A
- 4) C
- 5) C
- 6) D
- 7) B
- 8) C
- 9) C
- 10) C
- 11) B
- 12) B
- 13) A
- 14) B
- 15) B
- 16) D
- 17) D
- 18) D
- 19) C
- 20) A
- 21) C
- 22) B
- 23) B
- 24) A
- 25) B
- 26) D
- 27) C
- 28) A
- 29) B
- 30) C
- 31) D
- 32) A
- 33) B
- 34) B
- 35) B
- 36) D
- 37) B
- 38) D
- 39) A
- 40) A
- 41) B
- 42) D
- 43) B
- 44) A
- 45) A
- 46) D
- 47) C
- 48) D
- 49) C
- 50) D

Answer Key

Testname: SEMESTER TEST

- 51) C
- 52) D
- 53) A
- 54) D
- 55) C
- 56) D
- 57) C
- 58) A
- 59) B
- 60) D
- 61) C
- 62) D
- 63) D
- 64) B